



SANSI TECHNOLOGY
3233 Grand Ave, STE N638
Chino Hills, CA 91709
800.476.1356
sales@sansilighting.com
www.sansilighting.com

SHANGHAI SANSI TECH CO., LTD
#1280 Shuying Road
Shanghai, China
+86 21 54883434
sales3@sansitech.com
www.sansitech.com

FOR IMMEDIATE RELEASE:

May 25, 2014

ADDITIONAL PHOTOS AVAILABLE BY REQUEST

Sansi Unveils 10W LED Bulb to Replace 100W Incandescent Bulbs

SHANGHAI--In a recent ceremonial unveiling at the Shanghai Hongqiao Hotel, Sansi introduced its replacement for the 100W incandescent bulb: a 90%-energy-saving 10W LED bulb.

Over 200 guests attended the ceremony, including China national academician Mr. Ma Junru, academician Mr. Zheng Youliao, academician Mr. ZhaoJizong, Secretary to Xiangshan Science Conferences Mr. Yang Bingxin, as well as media and industry professionals.

Sansi chairman Chen Bishou, general manager Wang Huafeng and vice president Wang Yinghua welcomed all guests and provided information about Sansi and its new product release. Sansi began researching LED bulb products in January 2012. The first successfully produced models were the LED bulb series equivalent to 40W incandescent lamp. The new 100W incandescent equivalent is the second successful phase of the LED bulb rollout. Features of the 10W LED bulb include:

- Breakthrough in the lighting industry for incandescent replacement
- Equivalent to 100W incandescent bulb
- High total efficacy
- Full sphere illumination with no flickering
- High-efficiency heat sink
- Well controlled size

Other technical details, as provided by Mr. Wang Yinghua, include:

- Total efficacy up to 160 lm/W
- Completely compliant to the extreme A19 dimension requirement
- Operating life up to 40,000 hours (4.5+ years total run time)
- 1600 flux illumination output at only 10 watts of energy
- 200% energy savings compared to leading international brands
- Junction temperature rise < 45°C, compared to the current industrial level of 60°C
- 3D heat sink of ceramic materials
- IP IC LED driver
- Layered LED strip distribution
- Product distribution beginning May 2014

Sansi's 10w LED bulb was characterized as the most advanced model in the industry by Mr. Zhang Shangduan, Director of Spot Light Source Institute at Fudan University.

"Sansi will continue to develop and evolve, will revolt against old thinking and convention, will continue to provide high-quality LED products to the market, and will play an increasingly significant role in the energy-saving industry of China and the world," noted Chairman Chen.

Sansi was established in 1993 and specializes in LED application. It has an 86,000 m² of production and research facilities and over 1700 employees. Sansi owns the largest LED application laboratory in Asia, with over 400 engineers including 40 employees with Masters or Ph.D. degrees and 20 senior engineers. Three

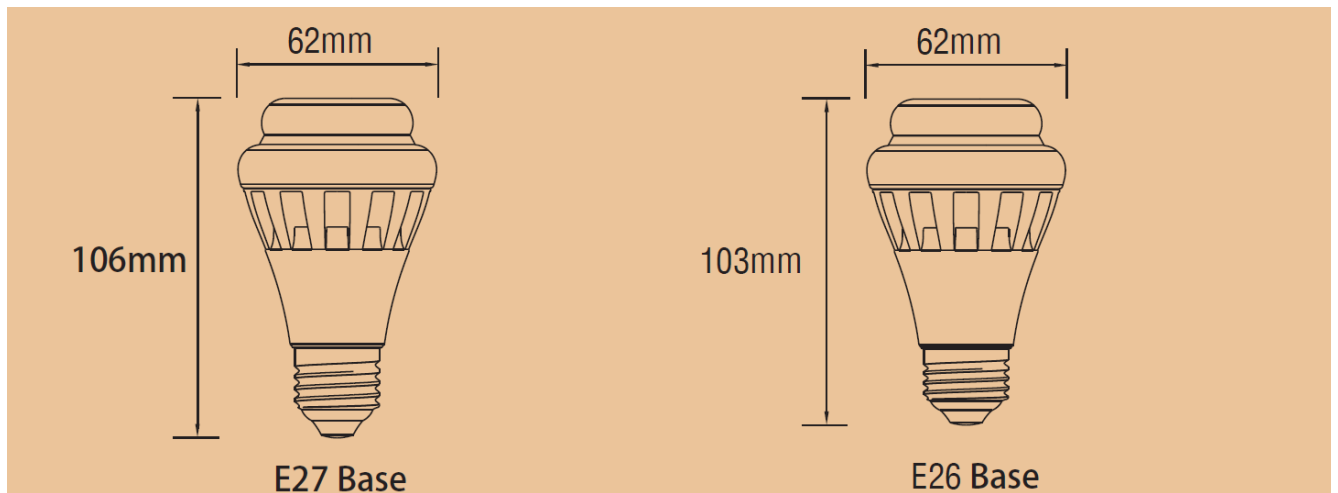


SANSI TECHNOLOGY
 3233 Grand Ave, STE N638
 Chino Hills, CA 91709
 800.476.1356
sales@sansilighting.com
www.sansilighting.com

SHANGHAI SANSI TECH CO., LTD
 #1280 Shuying Road
 Shanghai, China
 +86 21 54883434
sales3@sansitech.com
www.sansitech.com

R&D divisions and one application institute were set up. Thirteen research units cover the full range of LED application from mechanics to software, optics to LED packaging.

SPECIFICATIONS FOR C21BB LED BULB SERIES												
MODEL	POWER INPUT	WATTAGE	FLUX	LIFETIME	BEAM	DIMMING	BASE	SIZE	CRI	WEIGHT	CCT	TEMP RANGE
C21BB-I-E26-10W-5000-1600	90-132 VAC	10W	1600 lm	30,000 hrs	Omni Directional	Optional	E26	A19	80	180g	5000K	-20C ~ 40C
C21BB-I-E27-10W-5000-1600	180-264 VAC						E27					
C21BB-I-E26-13.5W-5000-1600	90-132 VAC	13.5W	1600 lm	30,000 hrs	Omni Directional	Optional	E26	A19	80	180g	5000K	-20C ~ 40C
C21BB-I-E27-13.5W-5000-1600	180-264 VAC						E27					
C21BB-I-E27-15W-3000-1600	180-264 VAC	15W	1600 lm	30,000 hrs	Omni Directional	Optional	E27	A19	80	180g	3000K	-20C ~ 40C
C21BB-I-E26-15W-3000-1600	90-132 VAC						E26					





SANSI TECHNOLOGY
3233 Grand Ave, STE N638
Chino Hills, CA 91709
800.476.1356
sales@sansilighting.com
www.sansilighting.com

SHANGHAI SANSI TECH CO., LTD
#1280 Shuying Road
Shanghai, China
+86 21 54883434
sales3@sansitech.com
www.sansitech.com

Photos (additional photos available upon request):

